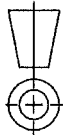


**NOTES:**

- 1) CONCRETE UNDER GATE SYSTEM TO HAVE HIGH QUALITY TROWEL FINISH AND BE FLAT WITHIN  $\pm 3$ mm.
- 2) THE HORIZONTAL CONCRETE CLAMPING SURFACE EXTENDING 150mm DOWNSTREAM OF MAIN ANCHOR BOLT CENTERLINE AND 200mm UPSTREAM OF MAIN ANCHOR BOLT CENTERLINE SHOULD BE LEVEL WITHIN  $\pm 6$ mm FROM ABUTMENT TO ABUTMENT.
- 3) ALL DIMENSIONS TO WITHIN  $\pm 3$ mm OF TRUE POSITION UNLESS OTHERWISE DIMENSIONED OR NOTED ON PART DRAWING
- 4) ANCHOR BOLTS TO BE PLUMB AND PARALLEL TO EACH ABUTMENT (IN VERTICAL DIRECTION) WITHIN  $\pm 3$ mm OVER LENGTH OF ANCHOR BOLTS AND PERPENDICULAR TO THE SPILLWAY SURFACE. ANCHOR BOLT CENTER LINE TO BE PERPENDICULAR TO ABUTMENT FACE  $\pm 0.1^\circ$ .
- 5) ABUTMENT SURFACES TO BE FLAT AND PLUMB WITHIN  $\pm 3$ mm IN ALL DIRECTIONS.
- 6) CONTRACTOR RESPONSIBLE FOR ALL CONCRETE CUTTING, GROUTING, GROUT, AIR PIPE, AIR PIPE FITTINGS/WELDING, VALVING, ELECTRICAL CONDUIT, CONDUIT FITTINGS, ASSOCIATED TOOLS, REBAR, ANCHORING AND SURFACE EPOXY, AND ANYTHING ELSE PERTAINING TO COMPONENTS NOT SUPPLIED BY OBERMEYER HYDRO, INC. OR OUTLINED IN THE OBERMEYER BILL OF MATERIAL.
- 7) THIS DRAWING IS PROPERTY OF OBERMEYER HYDRO, INC. AND IS NOT TO BE USED, DISCLOSED, REPRODUCED OR TRANSMITTED BY ELECTRONIC OR ANY OTHER MEANS WITHOUT PRIOR WRITTEN AUTHORIZATION.
- 8) ALL ANCHOR BOLTS, BOLTS, FASTENERS TO BE ACCURATELY TORQUED TO APPROPRIATE LEVEL AS DEFINED IN THE OBERMEYER INSTALLATION PROCEDURE.
- 9) THERE IS **NO WELDING ALLOWED** ON THE MAIN ANCHOR BOLT ASSEMBLIES.
- 10) ALL DIMENSIONS IN INCHES UNLESS OTHERWISE NOTED.

7						
6						
5						
4						
3						
2						
1				08/14/09	NEW DRAWING	
NO						REVISION DESCRIPTION


	UNLESS OTHERWISE NOTED TOL: $\pm 1/16"$ TOL: $\pm 0.06"$ TOL: $\pm 0.015"$ TOL: $\pm 1"$	DRAWING DESCRIPTION
CONSTRUCTION NOTES		

COPYRIGHTED, OBERMEYER HYDRO, INC., 2008

THIS DRAWING IS PROPERTY OF OBERMEYER HYDRO, INC. AND IS NOT TO BE USED, DISCLOSED, REPRODUCED OR TRANSMITTED BY ELECTRONIC OR ANY OTHER MEANS WITHOUT PRIOR WRITTEN AUTHORIZATION.


**OBERMEYER HYDRO, INC**

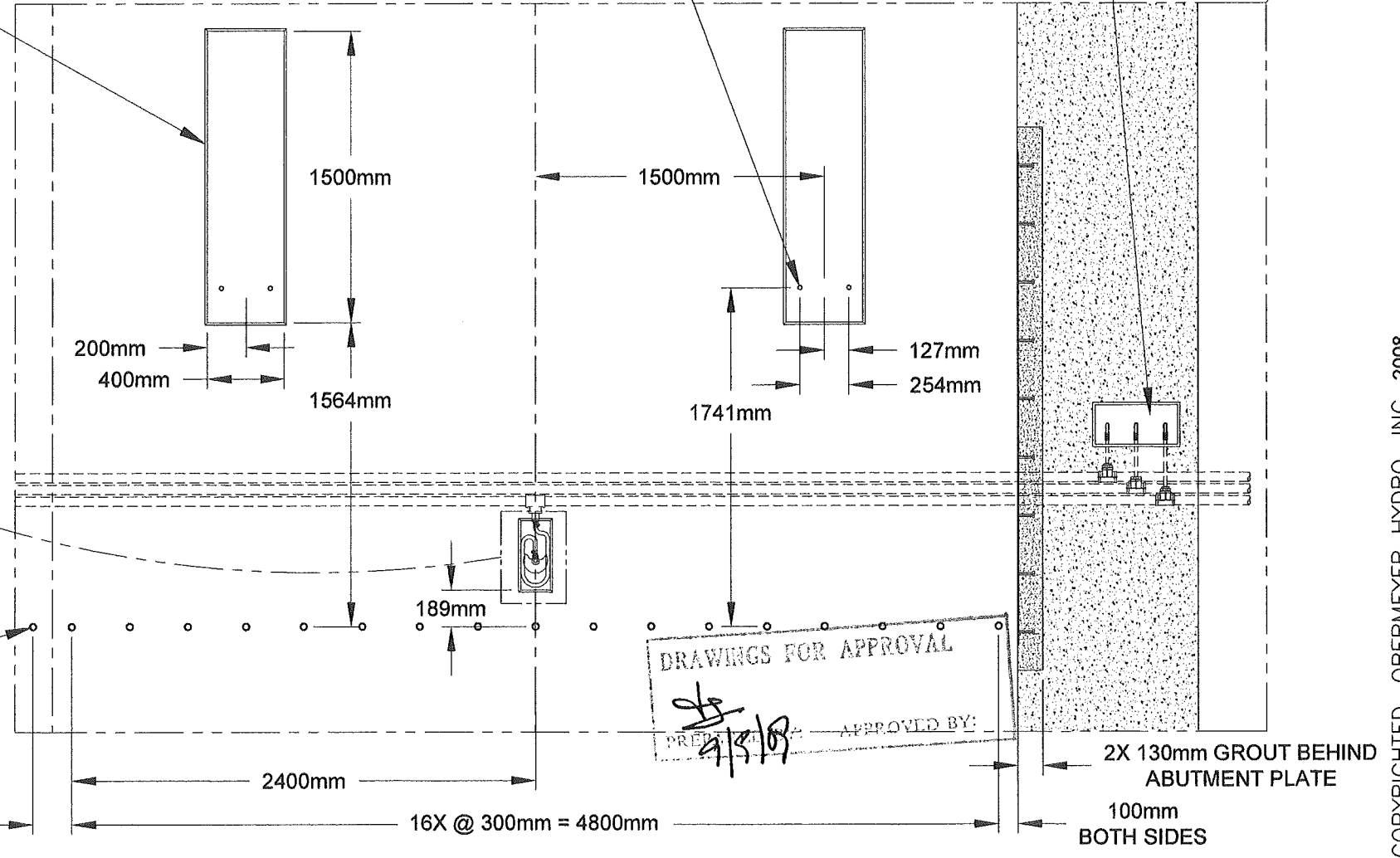
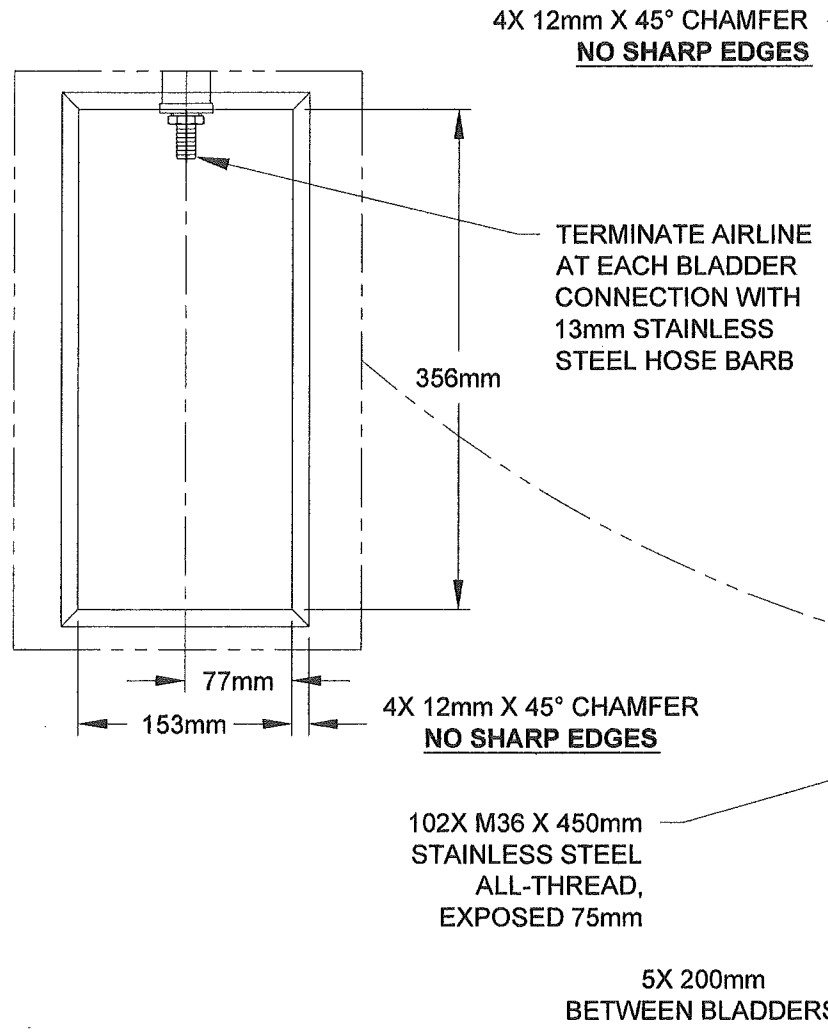
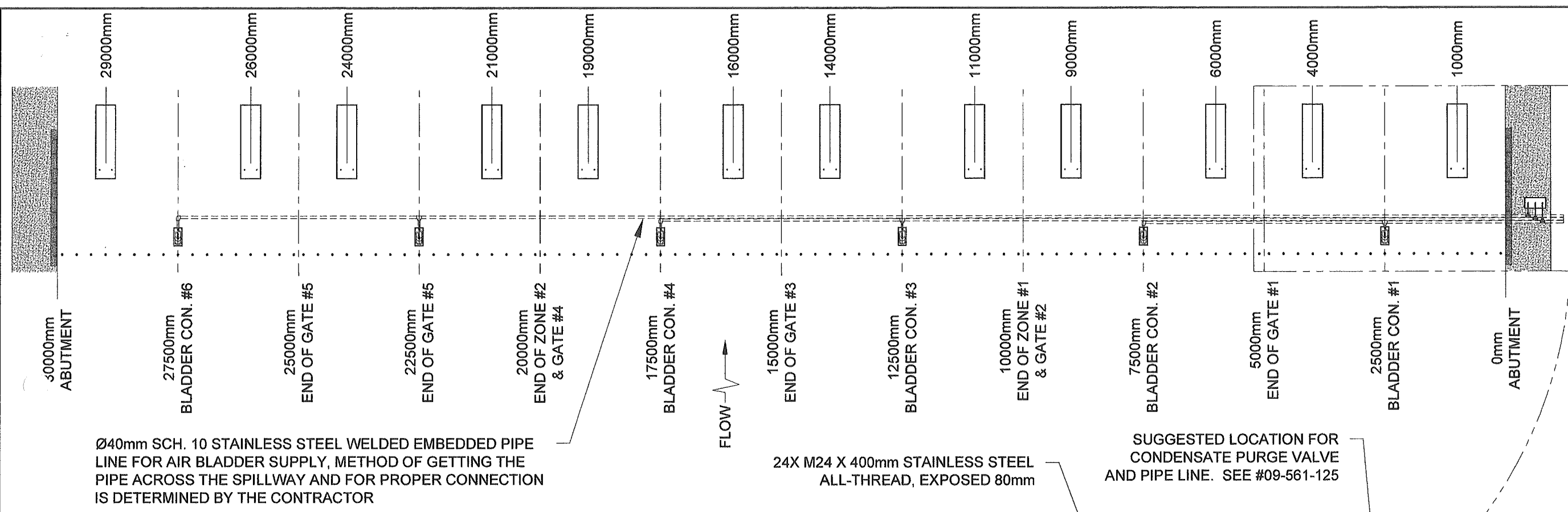
P.O. BOX 668  
FORT COLLINS, COLORADO 80522  
TEL 970-568-9844 FAX 970-568-9845



SHEETS	SCALE
1 of 1	NO SCALE
JOB	
KINTA RIVER	
DWG. NO.	
09-561-100	

DRAWINGS FOR APPROVAL

 9/3/09  
 PREPARED BY: APPROVED BY:



DRAWINGS FOR APPROVAL  
 APPROVED BY: [Signature]  
 DATE: 9/13/09

COPYRIGHTED, OBERMEYER HYDRO, INC., 2008  
 THIS DRAWING IS PROPERTY OF OBERMEYER HYDRO, INC. AND IS NOT TO BE USED, DISCLOSED, REPRODUCED OR TRANSMITTED BY ELECTRONIC OR ANY OTHER MEANS WITHOUT PRIOR WRITTEN AUTHORIZATION.

7					
6					
5					
4					
3					
2					
1		BAH	APRVD	09/01/09	NEW DRAWING
NO					REVISION DESCRIPTION

UNLESS OTHERWISE NOTED  
 TOL: ± 1/16"  
 TOL: XX± .060"  
 TOL: XXX± .015"  
 TOL: ± 1"

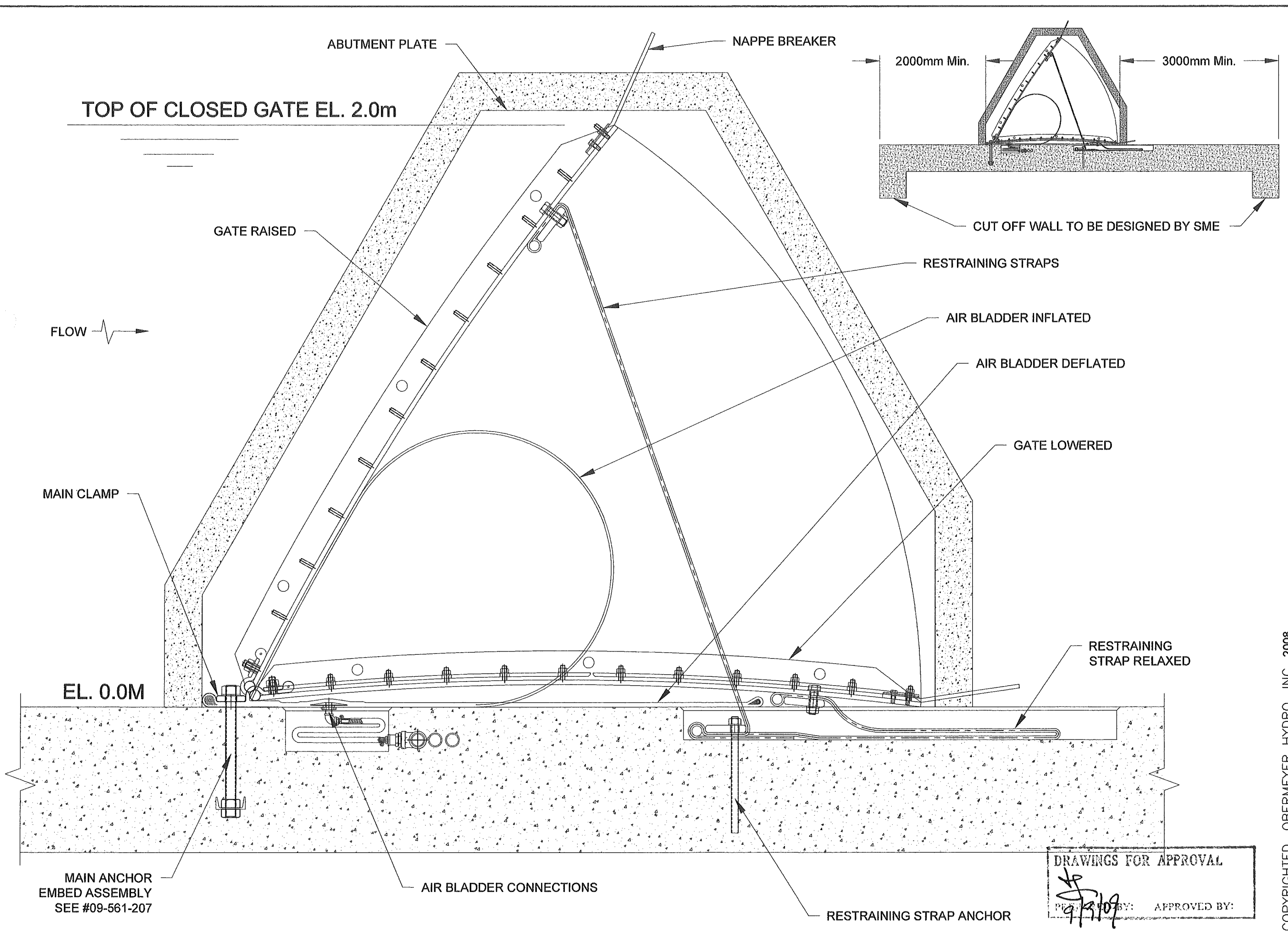
DRAWING DESCRIPTION  
 SPILLWAY PLAN VIEW

OBERMEYER HYDRO, INC.  
 P.O. BOX 668  
 FORT COLLINS, COLORADO 80522  
 TEL 970-568-9844 FAX 970-568-9845

SHEETS 1 of 1  
 SCALE NO SCALE

JOB KINTA RIVER

DWG. NO. 09-561-101



7							
6							
5							
4							
3							
2							
1							
NO							

UNLESS TOL: ± 1/16" TOL: .005" .060" TOL: .005" .015" TOL: ± 1"	DRAWING DESCRIPTION
SECTION ELEVATION	

COPYRIGHTED, OBERMEYER HYDRO, INC., 2008  
 THIS DRAWING IS PROPERTY OF OBERMEYER HYDRO, INC. AND IS NOT TO BE USED, DISCLOSED, REPRODUCED OR TRANSMITTED BY ELECTRONIC OR ANY OTHER MEANS WITHOUT PRIOR WRITTEN AUTHORIZATION.

**OBERMEYER HYDRO, INC**  
 P.O. BOX 668  
 FORT COLLINS, COLORADO 80522  
 TEL 970-568-9844 FAX 970-568-9845

SHEETS 1 of 1 SCALE NO SCALE

JOB KINTA RIVER

DWG. NO. 09-561-110

**DRAWINGS FOR APPROVAL**

DESIGNED BY: *[Signature]* 9/3/09 APPROVED BY:

MAIN CLAMP

EL. 0.0M

TOP OF CLOSED GATE EL. 2.0m

FLOW →

ABUTMENT PLATE

NAPPE BREAKER

2000mm Min.

3000mm Min.

CUT OFF WALL TO BE DESIGNED BY SME

GATE RAISED

RESTRAINING STRAPS

AIR BLADDER INFLATED

AIR BLADDER DEFLATED

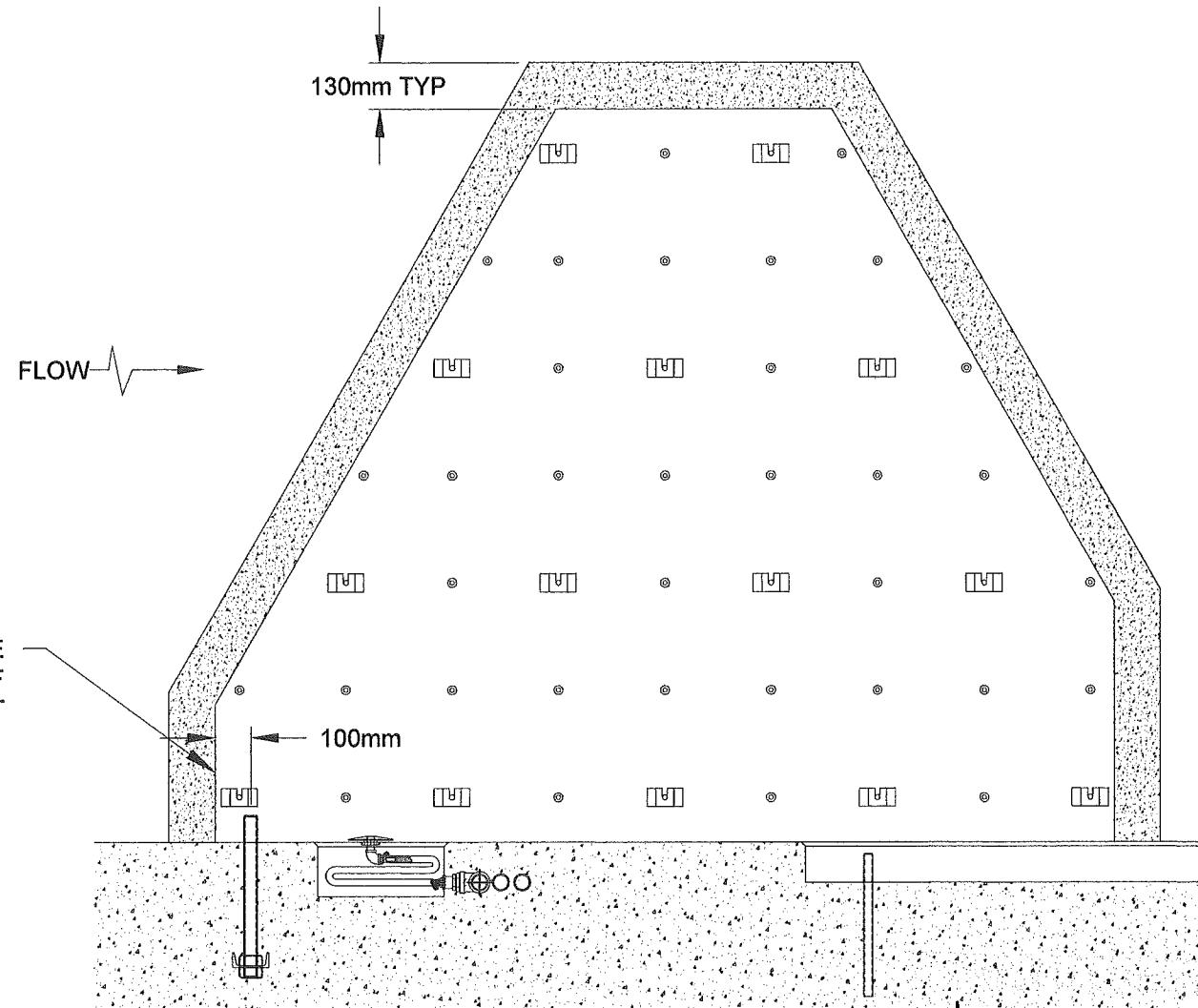
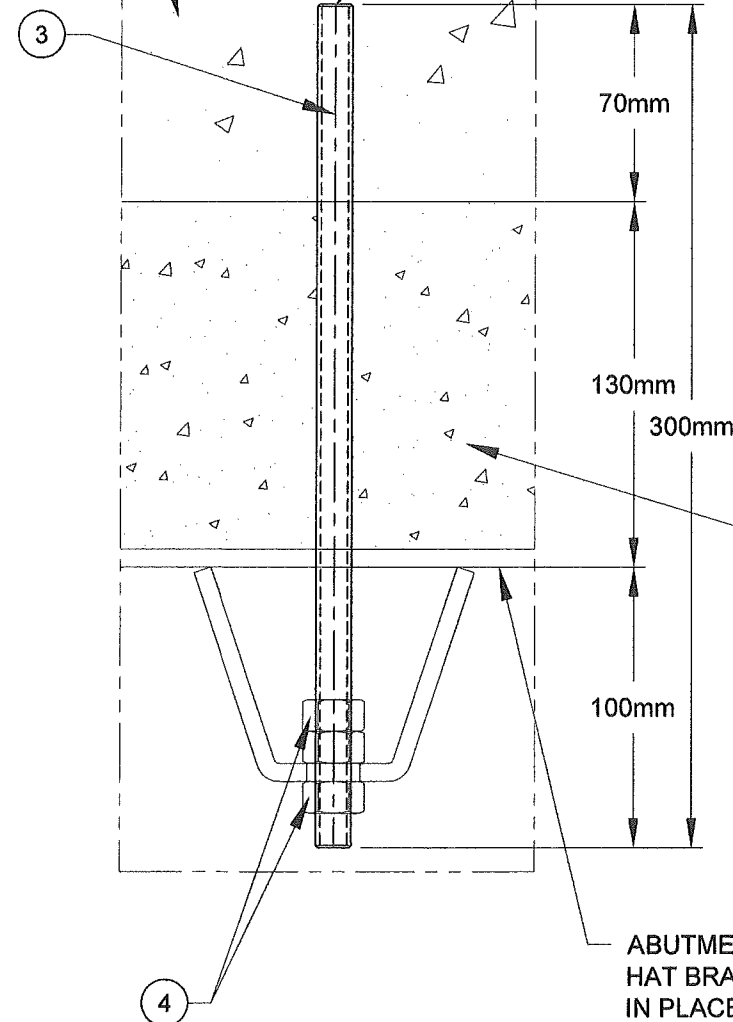
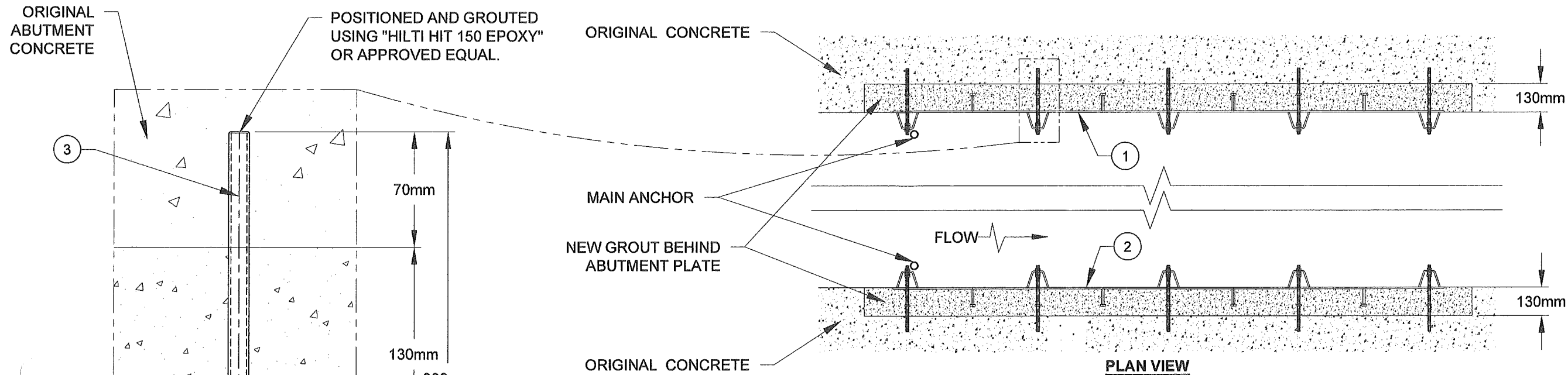
GATE LOWERED

RESTRAINING STRAP RELAXED

AIR BLADDER CONNECTIONS

RESTRAINING STRAP ANCHOR

MAIN ANCHOR  
 EMBED ASSEMBLY  
 SEE #09-561-207



NOTES:  
 1) QUANTITIES ARE FOR BOTH THE LEFT AND RIGHT ABUTMENTS.

FRONT EDGE OF ABUTMENT PLATE SHOULD BE 100mm UPSTREAM OF MAIN ANCHOR BOLT

BILL OF MATERIAL BOTH ABUTMENT PLATES			
ITEM	PART NO.	DESCRIPTION	QTY.
1	08-561-206-1	ABUTMENT PLATE, LEFT	1
2	08-561-206-2	ABUTMENT PLATE, RIGHT	1
3	ALL-THREAD	M12 X 300mm, ALL-THREAD, STAINLESS	28
4	NUT	M12, HEX NUT, BLACK	84

7									
6									
5									
4									
3									
2									
1									
NO									

UNLESS NOTED OTHERWISE TOL: ± 1/16" TOL: .005" TOL: .015" TOL: ± 1

DRAWING DESCRIPTION  
 ABUTMENT PLATE INSTALLATION DETAIL

**OBERMEYER HYDRO, INC**  
 P.O. BOX 668  
 FORT COLLINS, COLORADO 80522  
 TEL 970-568-9844 FAX 970-568-9845

SHEETS 1 of 1 SCALE NO SCALE

JOB KINTA RIVER

DWG. NO. 09-561-112

DATE APRVD 09/01/09  
 DRAWN BAH  
 APRVD

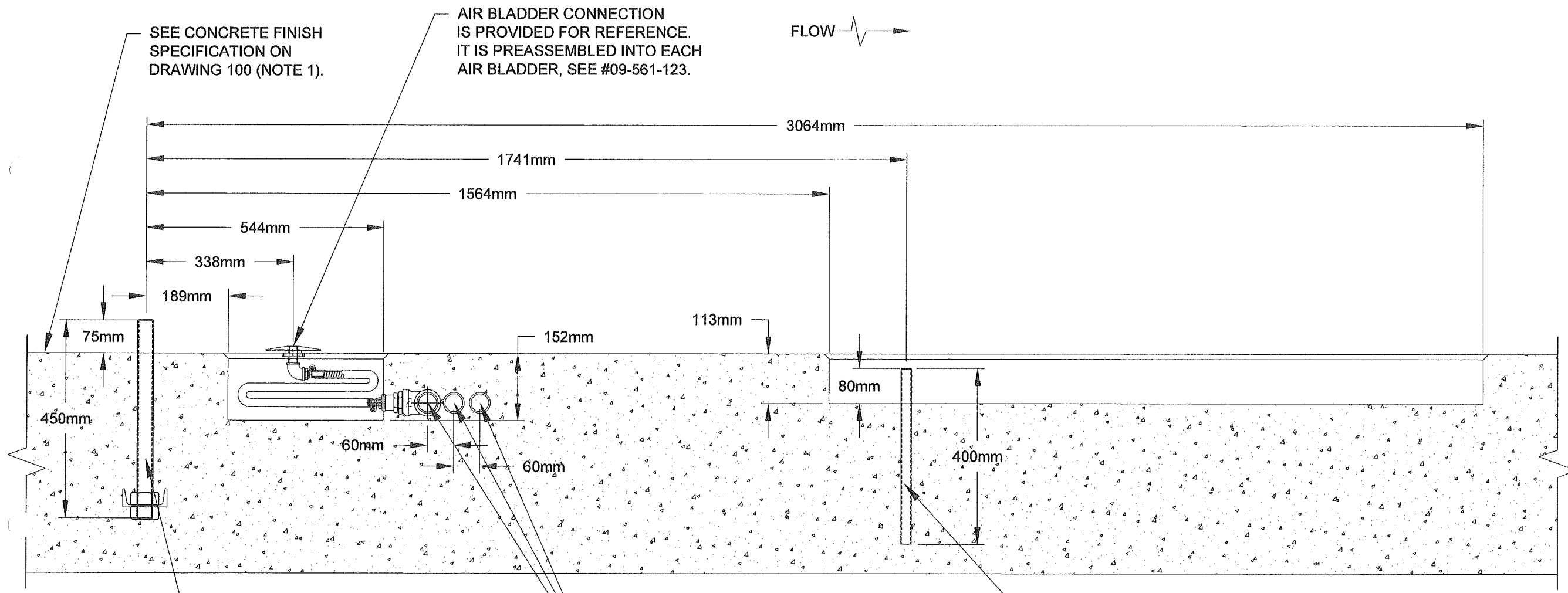
REVISION DESCRIPTION

NEW DRAWING

APPROVED BY: *[Signature]* 9/9/09

COPYRIGHTED, OBERMEYER HYDRO, INC., 2008

THIS DRAWING IS PROPERTY OF OBERMEYER HYDRO, INC. AND IS NOT TO BE USED, DISCLOSED, REPRODUCED OR TRANSMITTED BY ELECTRONIC OR ANY OTHER MEANS WITHOUT PRIOR WRITTEN AUTHORIZATION.



SEE CONCRETE FINISH SPECIFICATION ON DRAWING 100 (NOTE 1).

AIR BLADDER CONNECTION IS PROVIDED FOR REFERENCE. IT IS PREASSEMBLED INTO EACH AIR BLADDER, SEE #09-561-123.

FLOW →

108X M36 X 450mm STAINLESS STEEL ALL-THREAD, MAIN ANCHOR BOLTS. 6X MAIN ANCHOR EMBED ASSEMBLY CAST IN PLACE DRAWING #09-561-207

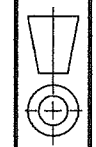
Ø40mm SCH 10 STAINLESS STEEL, FULLY WELDED (NOT THREADED) EMBEDDED AIR LINE WITH CONDENSATE PURGE INSTALLED PER DRAWING #09-561-125 (CONTRACTOR SUPPLIED)

RESTRAINING STRAP ANCHOR BOLTS, 24X M24 X 400mm LONG ALL - THREAD, STAINLESS STEEL. DRILL AND EPOXY SET INTO CONCRETE SPILLWAY WITH (HILTI #HIT RE 500) OR EQUIVALENT.

COPYRIGHTED, OBERMEYER HYDRO, INC., 2008

THIS DRAWING IS PROPERTY OF OBERMEYER HYDRO, INC. AND IS NOT TO BE USED, DISCLOSED, REPRODUCED OR TRANSMITTED BY ELECTRONIC OR ANY OTHER MEANS WITHOUT PRIOR WRITTEN AUTHORIZATION.

TOL: ± 1/16"  
TOL: .005" .060"  
TOL: .002" .015"  
TOL: ± 1"



DRAWING DESCRIPTION

ANCHOR AND BLOCKOUT PLACEMENT

**OBERMEYER HYDRO, INC**

P.O. BOX 668  
FORT COLLINS, COLORADO 80522  
TEL 970-568-9844 FAX 970-568-9845



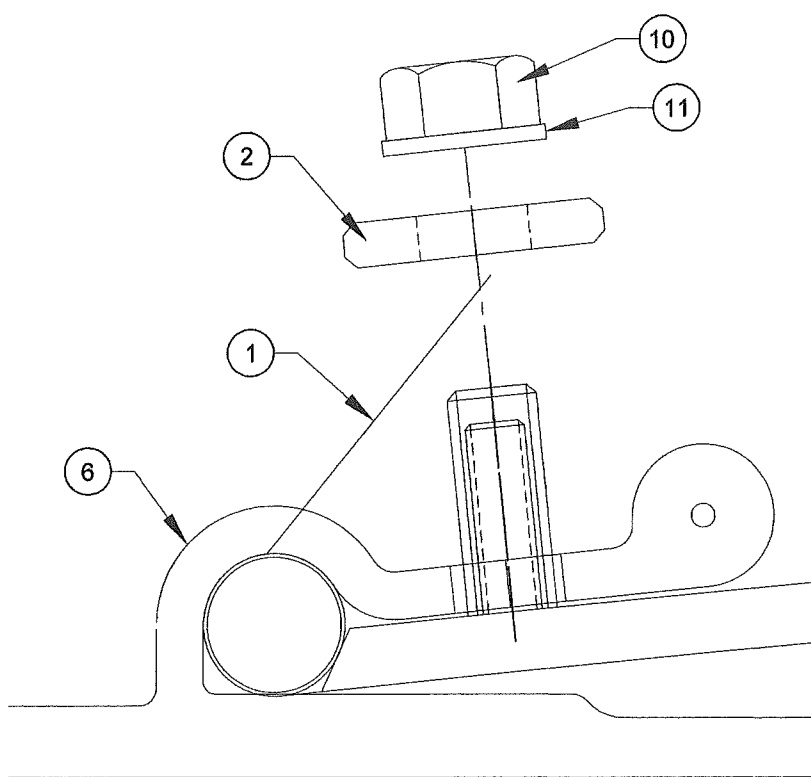
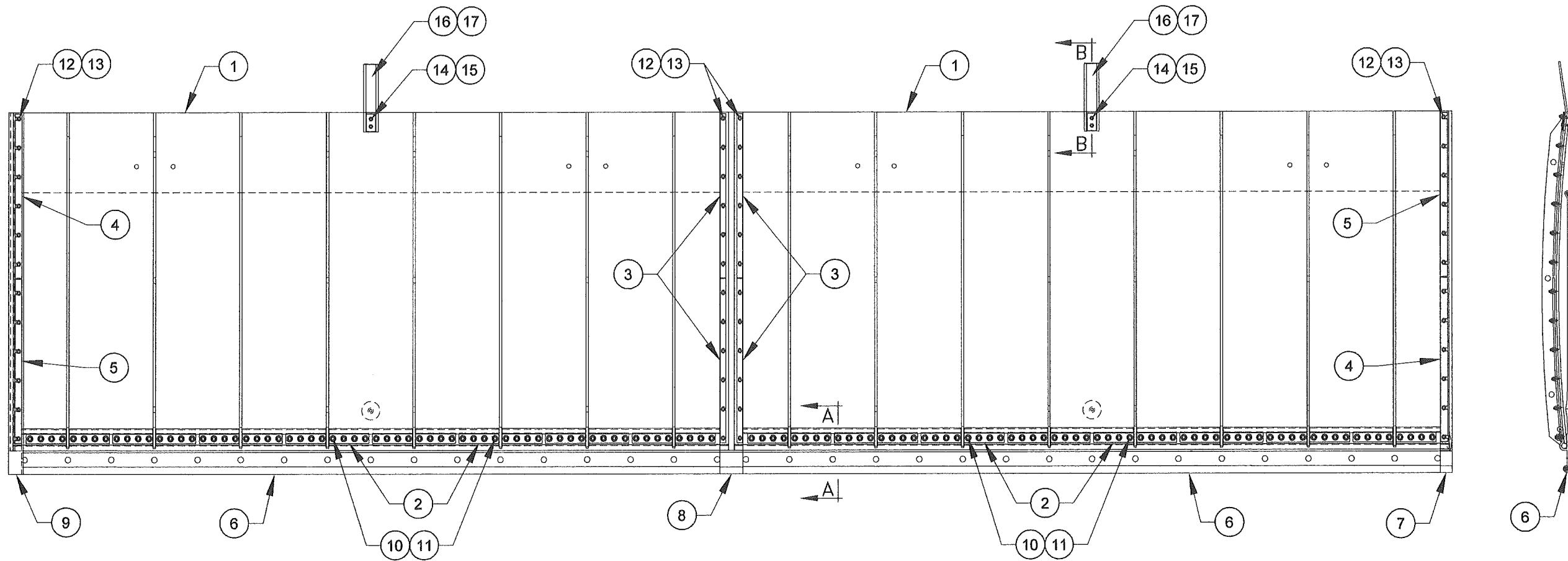
SHEETS 1 of 1 SCALE NO SCALE

JOB KINTA RIVER

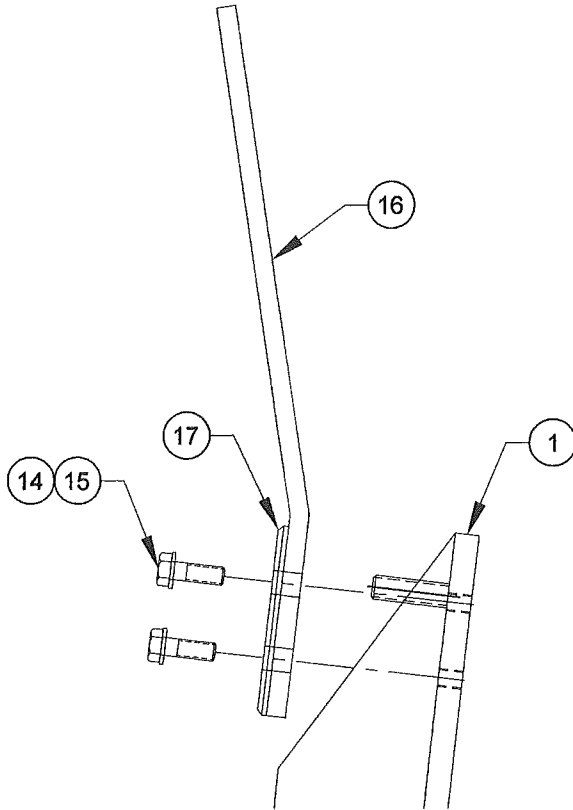
DWG. NO. 09-561-113

APPROVED BY: [Signature] 9/3/09

7						
6						
5						
4						
3						
2						
1	BAH	08/31/09	APRVD	DATE APRVD	NEW DRAWING	REVISION DESCRIPTION
NO						



**SECTION A-A**  
ASSEMBLY OF GATE TO HINGE FLAP  
TYPICAL FOR ALL GATES



**SECTION B-B**  
NAPPE BREAKER  
TYPICAL FOR ALL GATES

DRAWINGS FOR APPROVAL  
 9/3/09 APPROVED BY: [Signature]

BILL OF MATERIAL FOR THIS DRAWING			
ITEM	PART NO.	DESCRIPTION	QTY.
1	09-561-200-1	GATE PANEL	2
2	09-561-201-1	HINGE RETAINER, 4 HOLE	32
3	09-561-202-3	GATE SEAL RETAINER, 6 HOLE	4
4	09-561-202-1	GATE SEAL RETAINER, 6 SLOT	2
5	09-561-202-2	GATE SEAL RETAINER, 6 SLOT	2
6	09-561-310	AIR BLADDER	2
7	09-561-304-1	ABUTMENT SEAL, RIGHT	1
8	09-561-303-1	INTERPANEL SEAL	1
9	09-561-303-3	J-BULB SEAL	1
10	NUT	M24, HEX NUT, STAINLESS	128
11	WASHER	M24 FLAT WASHER, 316 STAINLESS	128
12	NUT	M16, HEX NUT, STAINLESS	48
13	WASHER	M16 FLAT WASHER, 316 STAINLESS	48
14	BOLT	M12 X 36mm, HEX HEAD, STAINLESS	4
15	WASHER	M12 FLAT WASHER, 316 STAINLESS	4
16	OHI-NB-PL-003A	PLASTIC NAPPE BREAKER	2
17	OHI-NB-PL-003B	PLASTIC NAPPE BREAKER CLAMP PLATE	2

COPYRIGHTED, OBERMEYER HYDRO, INC., 2008  
 THIS DRAWING IS PROPERTY OF OBERMEYER HYDRO, INC. AND IS NOT TO BE USED, DISCLOSED, REPRODUCED OR TRANSMITTED BY ELECTRONIC OR ANY OTHER MEANS WITHOUT PRIOR WRITTEN AUTHORIZATION.

TOL: ± 1/16"	UNLESS NOTED
TOL: .005" - .060"	OTHERWISE NOTED
TOL: .005" - .015"	
TOL: ± .1"	

**DRAWING DESCRIPTION**  
 ZONE 1 (RIGHT)  
 GATE PANEL ASSEMBLY

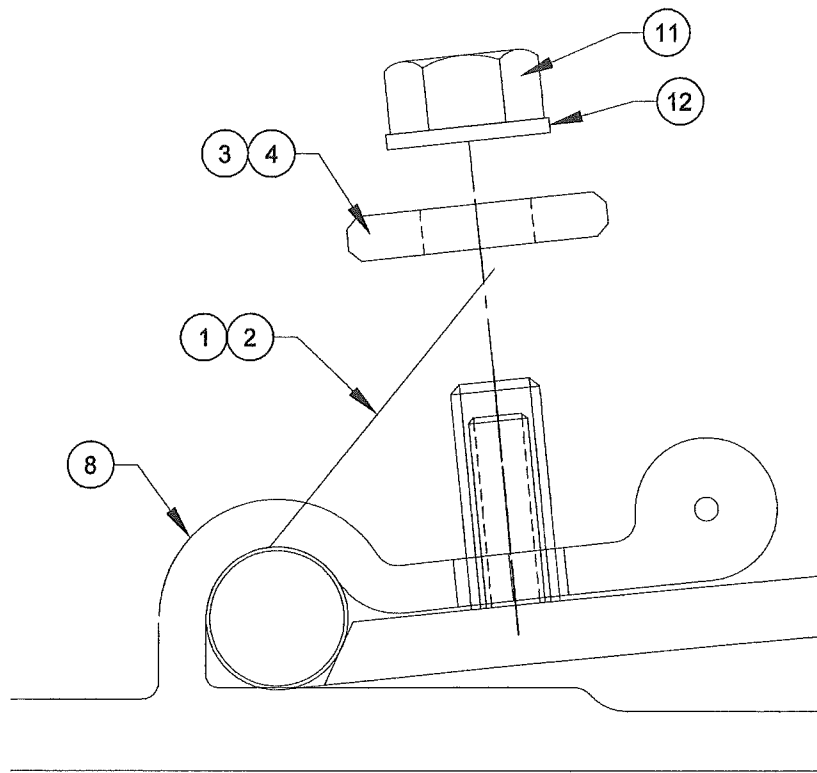
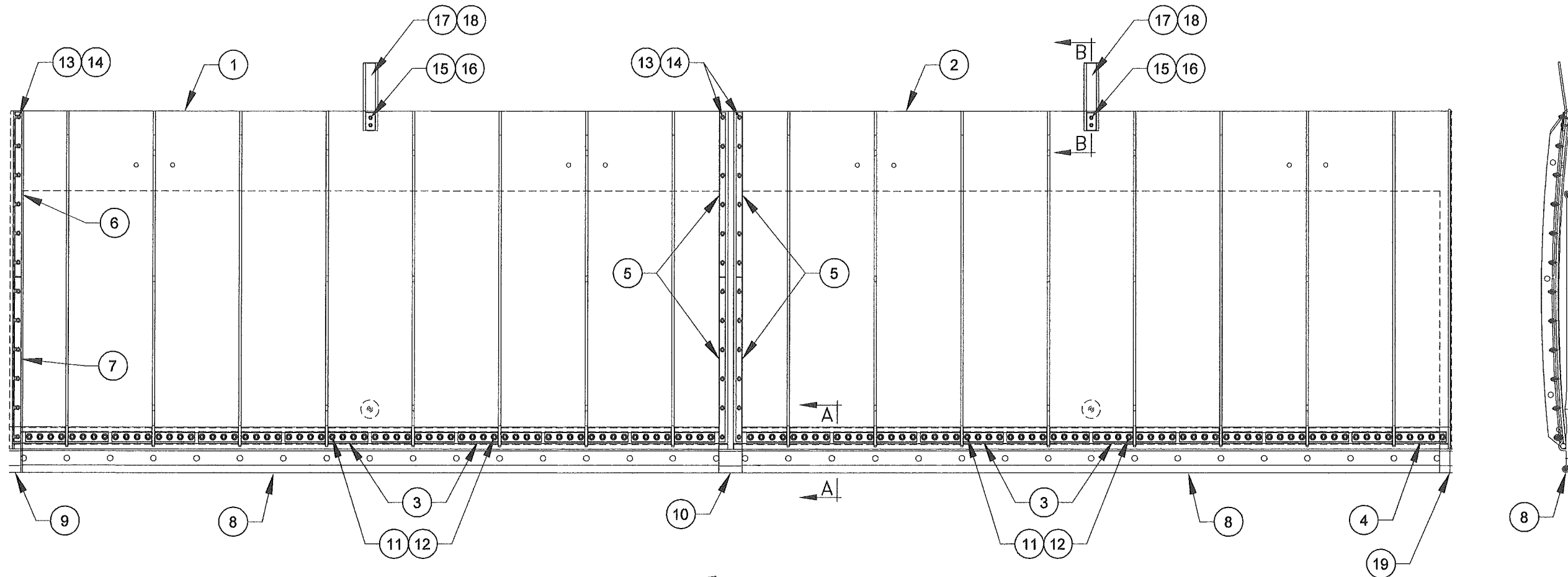
**OBERMEYER HYDRO, INC.**  
 P.O. BOX 668  
 FORT COLLINS, COLORADO 80522  
 TEL 970-568-9844 FAX 970-568-9845

SHEETS	SCALE
1 of 1	NO SCALE

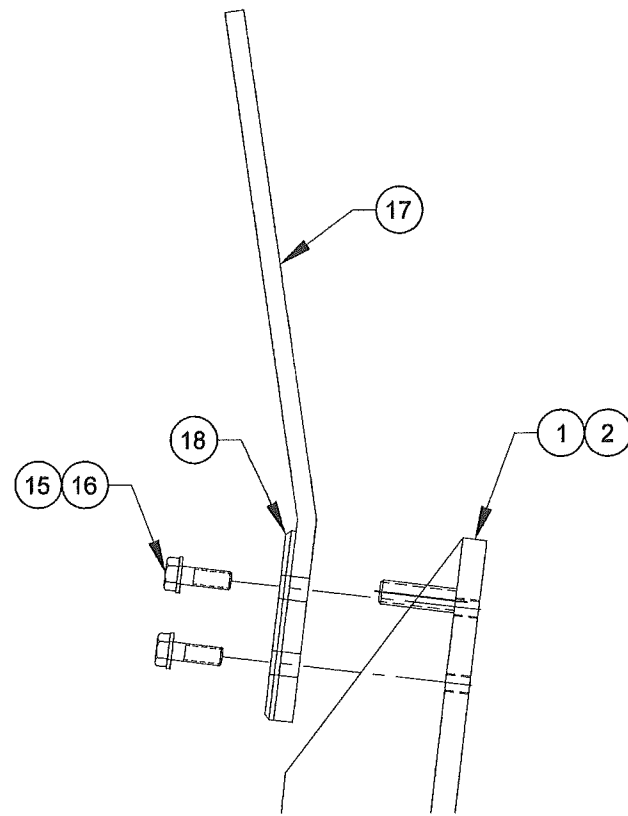
**JOB**  
KINTA RIVER

**DWG. NO.**  
09-561-120-1

NO	REVISION DESCRIPTION	DATE	APR/VD	BAH
1	NEW DRAWING	09/02/09		
2				
3				
4				
5				
6				
7				



**SECTION A-A**  
ASSEMBLY OF GATE TO HINGE FLAP  
TYPICAL FOR ALL GATES



**SECTION B-B**  
NAPPE BREAKER  
TYPICAL FOR ALL GATES

DRAWINGS FOR APPROVAL  
 9/9/09  
 APPROVED BY:

ITEM	PART NO.	DESCRIPTION	QTY.
1	09-561-200-1	GATE PANEL	1
2	09-561-200-2	GATE PANEL WITH EDGE RIB	1
3	09-561-201-1	HINGE RETAINER, 4 HOLE	31
4	09-561-201-2	HINGE RETAINER, 5 HOLE	1
5	09-561-202-3	GATE SEAL RETAINER, 6 HOLE	4
6	09-561-202-1	GATE SEAL RETAINER, 6 SLOT	1
7	09-561-202-2	GATE SEAL RETAINER, 6 SLOT	1
8	09-561-310	AIR BLADDER	2
9	09-561-303-3	J-BULB SEAL	1
10	09-561-303-1	INTERPANEL SEAL	1
11	NUT	M24, HEX NUT, STAINLESS	129
12	WASHER	M24 FLAT WASHER, 316 STAINLESS	129
13	NUT	M16, HEX NUT, STAINLESS	36
14	WASHER	M16 FLAT WASHER, 316 STAINLESS	36
15	BOLT	M12 X 36mm, HEX HEAD, STAINLESS	4
16	WASHER	M12 FLAT WASHER, 316 STAINLESS	4
17	OHI-NB-PL-003A	PLASTIC NAPPE BREAKER	2
18	OHI-NB-PL-003B	PLASTIC NAPPE BREAKER CLAMP PLATE	2
19	09-561-303-2	INTERPANEL SEAL SHORT	1

COPYRIGHTED, OBERMEYER HYDRO, INC., 2008

THIS DRAWING IS PROPERTY OF OBERMEYER HYDRO, INC. AND IS NOT TO BE USED, DISCLOSED, REPRODUCED OR TRANSMITTED BY ELECTRONIC OR ANY OTHER MEANS WITHOUT PRIOR WRITTEN AUTHORIZATION.

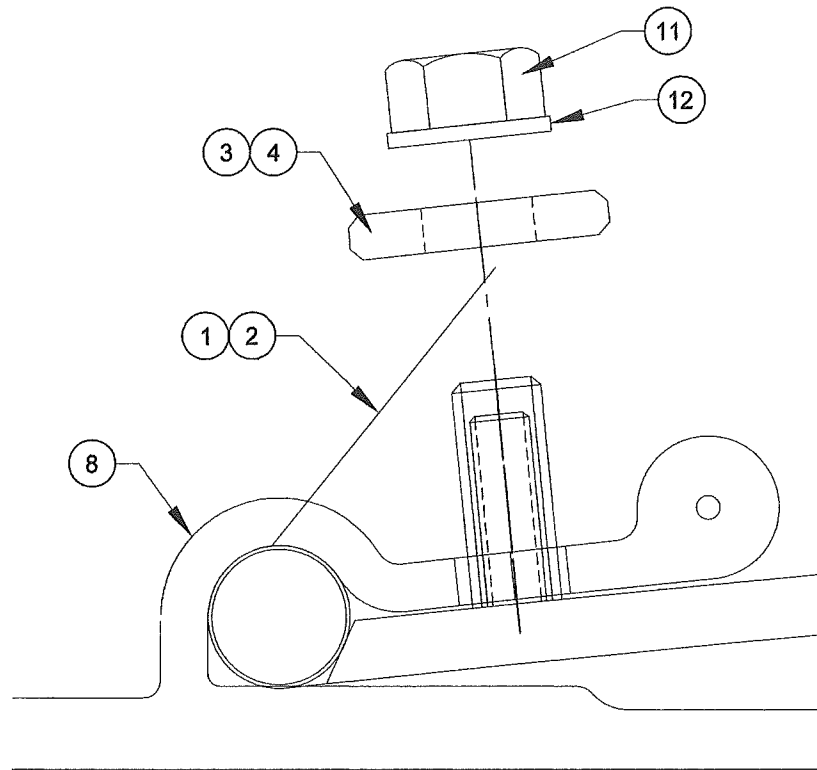
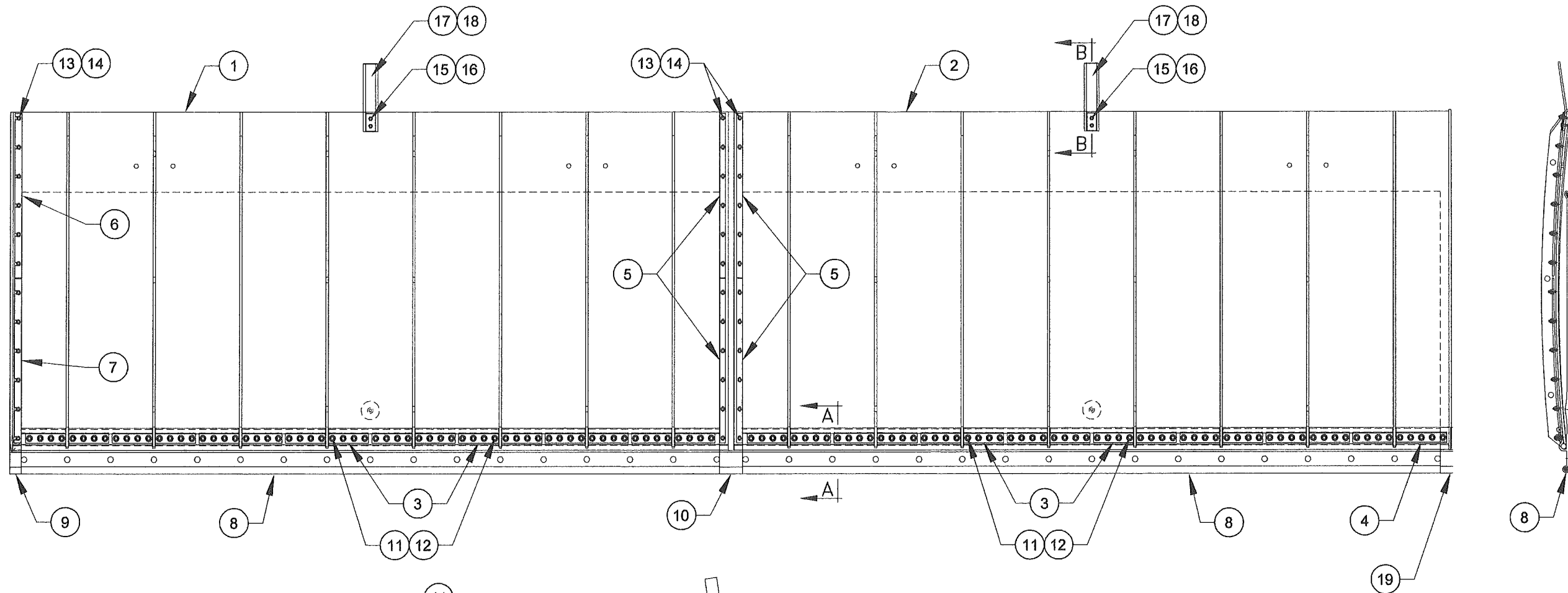
TOL: ± 1/16"  
 TOL: .005, .060"  
 TOL: .003±, .015"  
 TOL: ±.1

NO	REVISION DESCRIPTION	DATE	APR/VD
1	NEW DRAWING	09/03/09	BAH
2			
3			
4			
5			
6			
7			

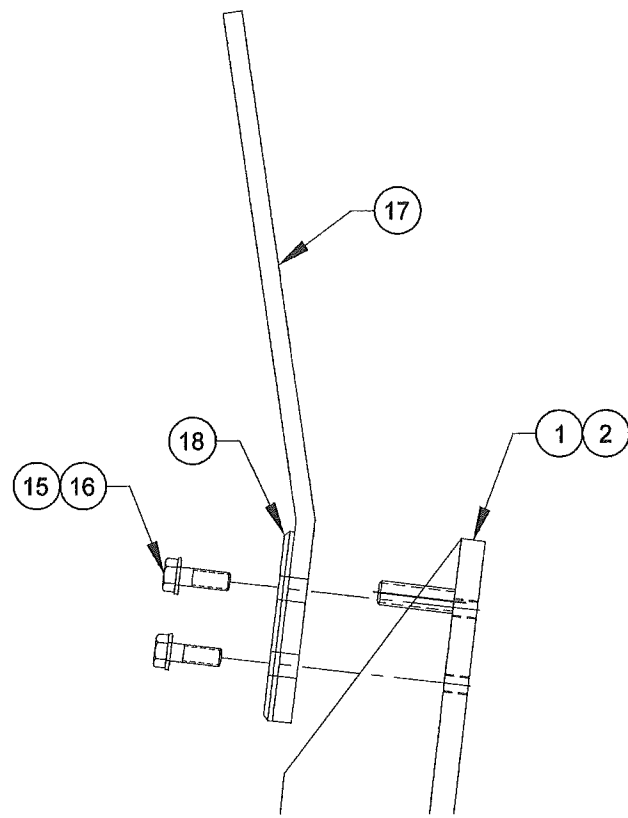
DRAWING DESCRIPTION  
 ZONE 2 (CENTE)  
 GATE PANEL ASSEMBLY

**OBERMEYER HYDRO, INC**  
 P.O. BOX 668  
 FORT COLLINS, COLORADO 80522  
 TEL 970-568-9844 FAX 970-568-9845

SHEETS 1 of 1  
 SCALE NO SCALE  
 JOB KINTA RIVER  
 DWG. NO. 09-561-120-2



**SECTION A-A**  
ASSEMBLY OF GATE TO HINGE FLAP  
TYPICAL FOR ALL GATES



**SECTION B-B**  
NAPPE BREAKER  
TYPICAL FOR ALL GATES

**DRAWINGS FOR APPROVAL**  
 PREPARED BY: *[Signature]* APPROVED BY: *[Signature]*

BILL OF MATERIAL FOR THIS DRAWING			
ITEM	PART NO.	DESCRIPTION	QTY.
1	09-561-200-1	GATE PANEL	1
2	09-561-200-2	GATE PANEL WITH END PLATE	1
3	09-561-201-1	HINGE RETAINER, 4 HOLE	31
4	09-561-201-2	HINGE RETAINER, 5 HOLE	1
5	09-561-202-3	GATE SEAL RETAINER, 6 HOLE	4
6	09-561-202-1	GATE SEAL RETAINER, 6 SLOT	1
7	09-561-202-2	GATE SEAL RETAINER, 6 SLOT	1
8	09-561-310	AIR BLADDER	2
9	09-561-304-2	ABUTMENT SEAL, LEFT	1
10	09-561-303-1	INTERPANEL SEAL	1
11	NUT	M24, HEX NUT, STAINLESS	129
12	WASHER	M24 FLAT WASHER, 316 STAINLESS	129
13	NUT	M16, HEX NUT, STAINLESS	36
14	WASHER	M16 FLAT WASHER, 316 STAINLESS	36
15	BOLT	M12 X 36mm, HEX HEAD, STAINLESS	4
16	WASHER	M12 FLAT WASHER, 316 STAINLESS	4
17	OHI-NB-PL-003A	PLASTIC NAPPE BREAKER	2
18	OHI-NB-PL-003B	PLASTIC NAPPE BREAKER CLAMP PLATE	2
19	09-561-303-2	INTERPANEL SEAL SHORT	1

COPYRIGHTED, OBERMEYER HYDRO, INC., 2008  
 THIS DRAWING IS PROPERTY OF OBERMEYER HYDRO, INC. AND IS NOT TO BE USED, DISCLOSED, REPRODUCED OR TRANSMITTED BY ELECTRONIC OR ANY OTHER MEANS WITHOUT PRIOR WRITTEN AUTHORIZATION.

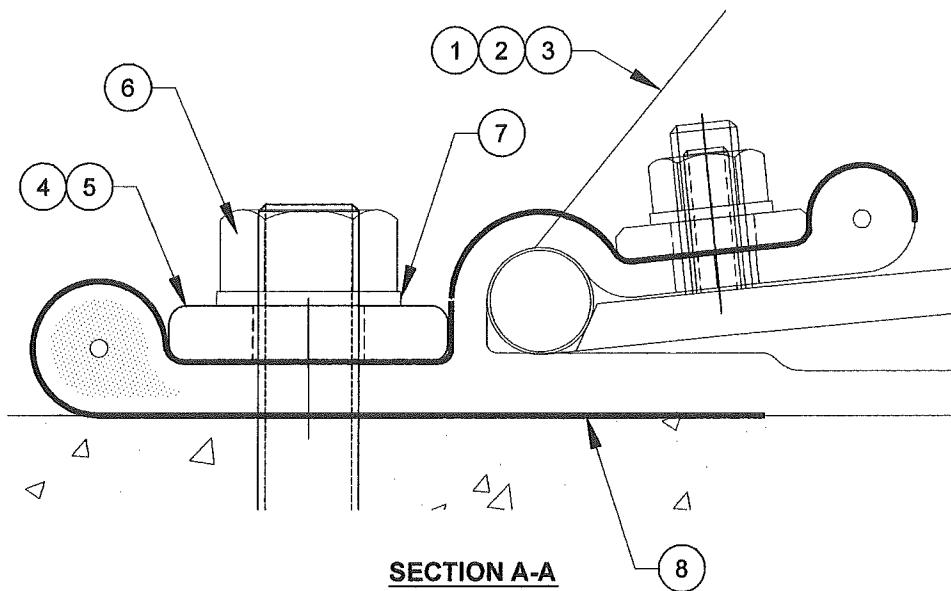
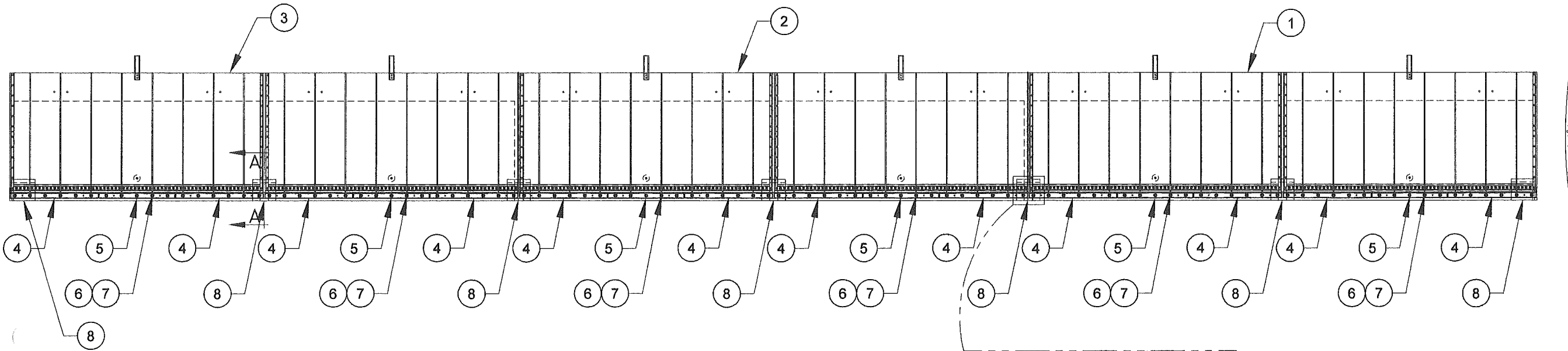
 UNLESS OTHERWISE NOTED	 TOL: ± 1/16" TOL: .005"-.060" TOL: .005"-.015" TOL: ± .1"	<b>DRAWING DESCRIPTION</b>  ZONE 3 (LEFT) GATE PANEL ASSEMBLY	NO 1 2 3 4 5 6 7
DRAWN BAH	DATE APRVD 09/02/09	REVISION DESCRIPTION NEW DRAWING	NO

OBERMEYER  
HYDRO, INC

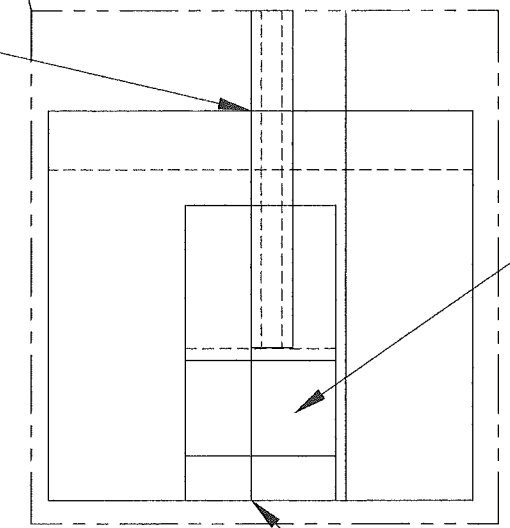
P.O. BOX 668  
 FORT COLLINS, COLORADO 80522  
 TEL 970-568-9844 FAX 970-568-9845

SHEETS 1 of 1	SCALE NO SCALE
JOB KINTA RIVER	
DWG. NO. 09-561-120-3	





FIELD SPLIT HYPALON TO END OF GATE BETWEEN ZONES ONLY.



FIELD TRIM J-BULB SEAL TO FIT MAIN CLAMP CHANNEL

FIELD TRIM SHORT INTERPANEL SEAL TO FIT J-BULB SEAL

NOTES:

- 1) THE HYPALON SHOULD BE PLACED UNDER THE AIR BLADDER AND WRAPPED AROUND THE END OF THE AIR BLADDER, UNDER THE MAIN ANCHOR CLAMP BAR, AND UNDER THE HINGE RETAINER.
- 2) SILICONE SHOULD BE USED BETWEEN THE HYPALON AND THE AIR BLADDER FOR A WATER TIGHT SEAL.
- 3) APPLY BEAD OF MARINE GRADE SILICONE AROUND ALL OUTER EDGES OF HYPALON SHEET. APPLY TWO BEADS OF SILICONE ALONG BOTH SIDES OF EACH SEAM BETWEEN BLADDER.
- 4) HOLES SHOULD BE CUT IN THE FIELD TO FIT HYPALON OVER MAIN ANCHORS AND GATE STUDS. PLACE SILICONE AROUND HOLE AND ANCHOR OR STUD TO PREVENT LEAKAGE.

BILL OF MATERIAL FOR THIS DRAWING

ITEM	PART NO.	DESCRIPTION	QTY.
1	09-561-120-1	RIGHT GATE PANEL ASSEMBLY	1
2	09-561-120-2	CENTER GATE PANEL ASSEMBLY	1
3	09-561-120-3	LEFT GATE PANEL ASSEMBLY	1
4	09-561-211-1	MAIN CLAMP BAR 6 HOLE	12
5	09-561-211-2	MAIN CLAMP BAR 5 HOLE	6
6	NUT	M36 HEX NUT STAINLESS	102
7	WASHER	M36 FLAT WASHER STAINLESS	102
8	HYPALON	500mm X 900mm	7

APPROVED BY:  
  
 9/9/09

COPYRIGHTED, OBERMEYER HYDRO, INC., 2008

THIS DRAWING IS PROPERTY OF OBERMEYER HYDRO, INC. AND IS NOT TO BE USED, DISCLOSED, REPRODUCED OR TRANSMITTED BY ELECTRONIC OR ANY OTHER MEANS WITHOUT PRIOR WRITTEN AUTHORIZATION.

NO	REVISION DESCRIPTION	DATE	APRVD	BAH
1	NEW DRAWING	09/03/09		
2				
3				
4				
5				
6				
7				

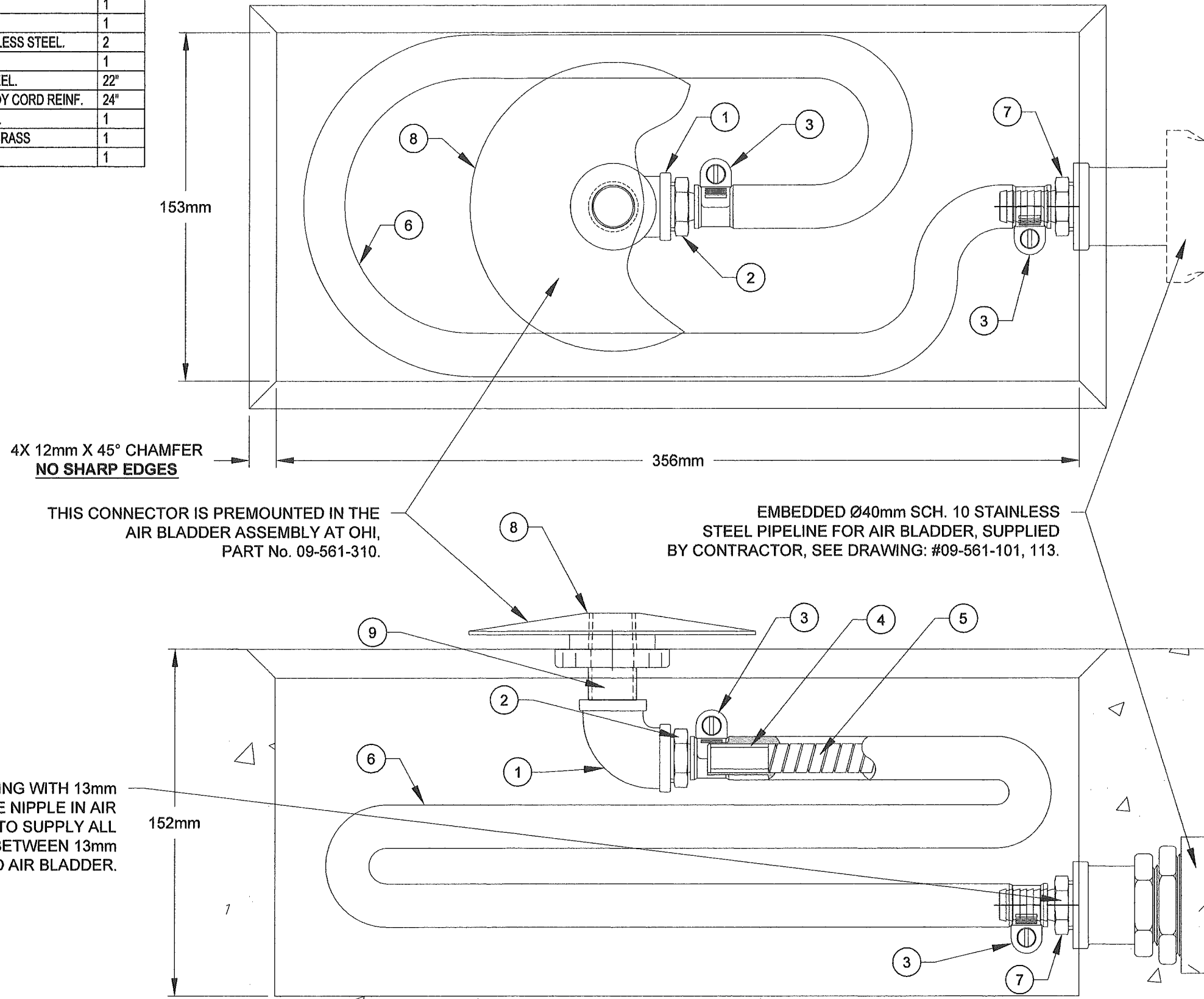
 UNLESS OTHERWISE NOTED TOL: ± 1/16" TOL: XX±.060" TOL: XXX±.015" TOL: ± 1	DRAWING DESCRIPTION
	MAIN CLAMP INSTALLATION AND HYPALON PLACEMENT

**OBERMEYER HYDRO, INC**  
 P.O. BOX 668  
 FORT COLLINS, COLORADO 80522  
 TEL 970-568-9844 FAX 970-568-9845

SHEETS	SCALE
1 of 1	NO SCALE
JOB	
KINTA RIVER	
DWG. NO.	
09-561-121	

**BILL OF MATERIAL FOR THIS DRAWING**

ITEM	PART NO.	DESCRIPTION	QTY.
1	ELBOW	1/2" NPT ELBOW, SCH 40, BRASS.	1
2	HOSE BARB	1/2" NPT TO 1/2" HOSE BARB, BRASS.	1
3	HOSE CLAMP	1/2" MIKALOR 21 - 23 W4 , HOSE CLAMP, STAINLESS STEEL.	2
4	OHI-HDW-INS-8-1	1/2" x 1" HOSE INSERT, UHMW.	1
5	OHI-HDW-SPI-12	SPIRAL INSERT FOR 1/2" HOSE, STAINLESS STEEL.	22"
6	HOSE	HOSE, 1/2" I.D. 300 PSI, EPDM COVERING W/PLOY CORD REINF.	24"
7	HOSE BARB	1/2" NPT TO 1/2" HOSE BARB, STAINLESS STEEL	1
8	OHI-BF-L2	LONG SEAM AIR BLADDER FITTING, RUBBER / BRASS	1
9	OHI-04-LS10	1/2" NPT x 2" NIPPLE, BRASS	1



CONTRACTOR TO TERMINATE AIR PIPING WITH 13mm STAINLESS STEEL BARBED HOSE NIPPLE IN AIR CONNECTION BLOCKOUT. OHI TO SUPPLY ALL REQUIRED FITTING AND HOSE BETWEEN 13mm BARBED HOSE FITTING AND AIR BLADDER.

**NOTES:**

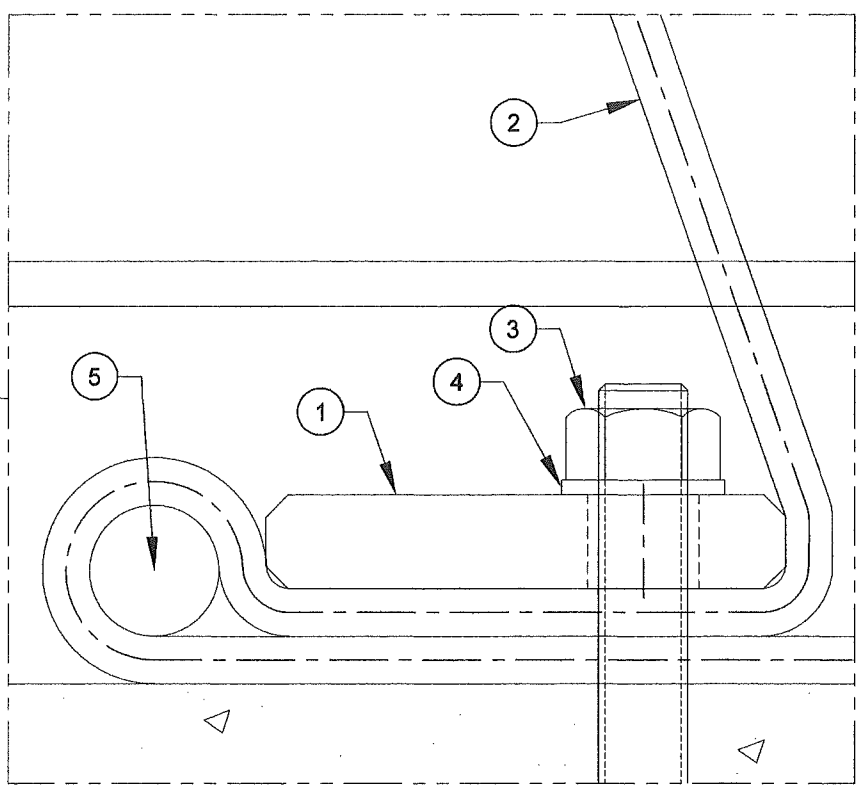
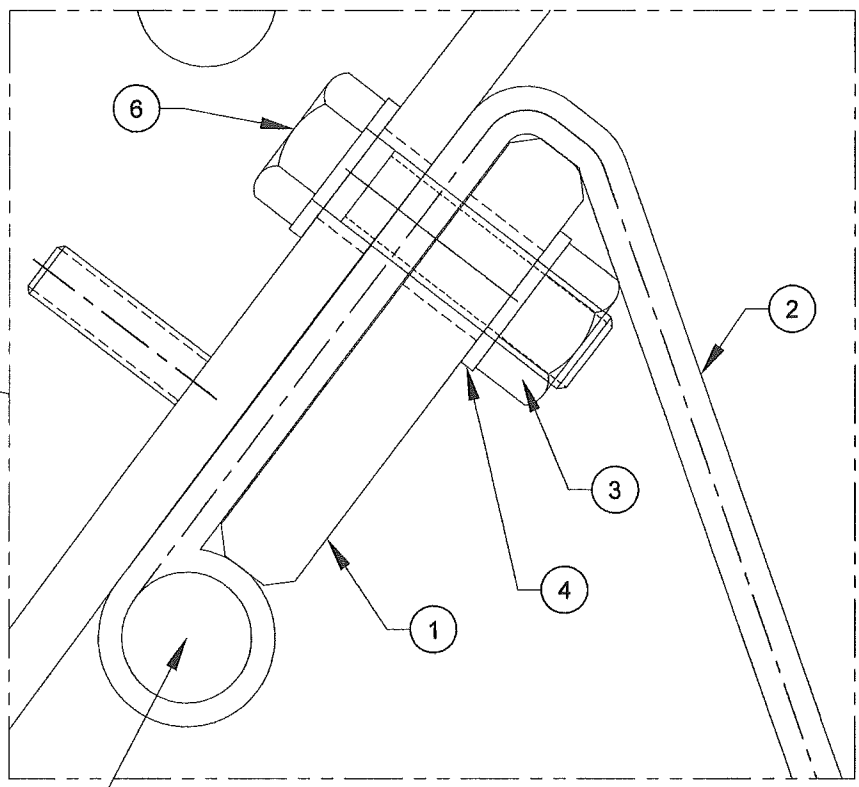
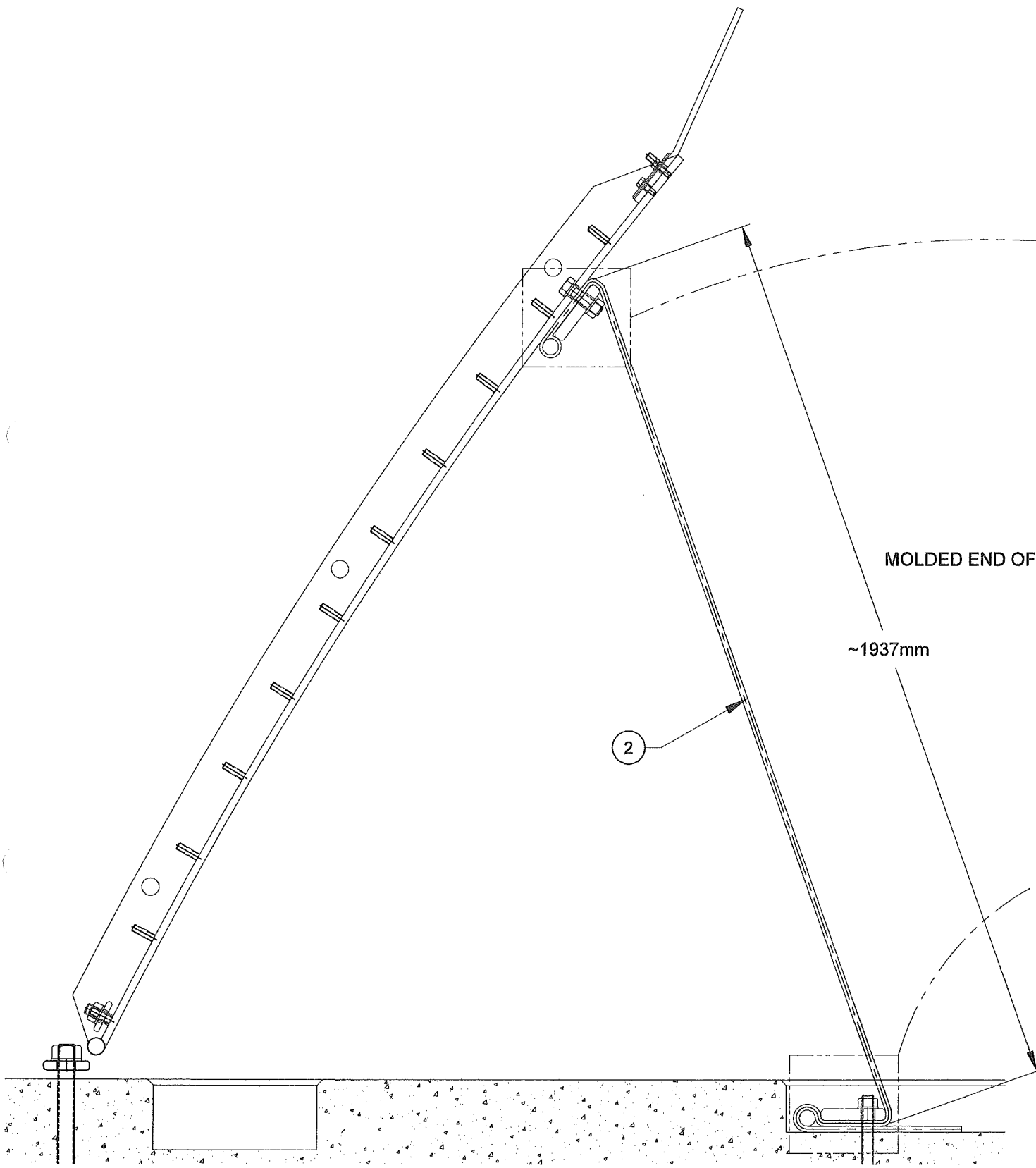
- 1) QUANTITY REQUIRED: 6
- 2) SPIRAL HOSE INSERT IS INSERTED INTO HOSE THROUGH THE LENGTH OF THE HOSE. ALLOW 25mm AT EACH END OF HOSE FOR INSERTION OF THE BARB FITTING TO BE INSERTED. (THIS IS TO INHIBIT HOSE CRIMPING AND ALSO ALLOWING MAXIMUM HOSE FLEXIBILITY.)

DRAWING FOR APPROVAL  
 APPROVED BY: [Signature]  
 3/3/09

NO	REVISION DESCRIPTION	DATE APRVD	APRVD	DESCRIPTION
7				
6				
5				
4				
3				
2				
1	NEW DRAWING	09/03/09	BAH	

UNLESS NOTED OTHERWISE TOL: ± 1/16" TOL: .005" TOL: .015" TOL: ± 1"	DRAWING DESCRIPTION BLADDER AIR CONNECTION DETAILS
COPYRIGHTED, OBERMEYER HYDRO, INC., 2008 THIS DRAWING IS PROPERTY OF OBERMEYER HYDRO, INC. AND IS NOT TO BE USED, DISCLOSED, REPRODUCED OR TRANSMITTED BY ELECTRONIC OR ANY OTHER MEANS WITHOUT PRIOR WRITTEN AUTHORIZATION.	OBERMEYER HYDRO, INC P.O. BOX 668 FORT COLLINS, COLORADO 80522 TEL 970-568-9844 FAX 970-568-9845
SHEETS 1 of 1	SCALE NO SCALE
JOB KINTA RIVER	
DWG. NO. 09-561-123	



MOLDED END OF RESTRAINING STRAP

~1937mm

NOTES:

1) DIMENSION FOR RESTRAINING STRAP IS FOR A START REFERENCE AND MAY CHANGE FOR FINAL ADJUSTED DIMENSION.

2) QUANTITIES IN PART LIST ARE PER SINGLE RESTRAINING STRAP INSTALLATION. THEY DO NOT REFLECT THE TOTAL REQUIRED FOR ALL RESTRAINING STRAPS.

DRAWINGS FOR APPROVAL

APPROVED BY: *[Signature]*

BILL OF MATERIAL FOR STRAP

ITEM	PART NO.	DESCRIPTION	QTY.
1	09-561-203	RESTRAINING STRAP CLAMP, 200mm STRAP, 30mm MTG HOLES	2
2	09-561-302	RESTRAINING STRAP	1
3	NUT	M24, HEX NUT, STAINLESS	4
4	WASHER	M24 FLAT WASHER, STAINLESS	6
5	NYLON ROD	Ø40mm X 250mm, NYLON ROD	1
6	BOLT	M24 X 85mm, HEX HEAD, STAINLESS	2

COPYRIGHTED, OBERMEYER HYDRO, INC., 2008

THIS DRAWING IS PROPERTY OF OBERMEYER HYDRO, INC. AND IS NOT TO BE USED, DISCLOSED, REPRODUCED OR TRANSMITTED BY ELECTRONIC OR ANY OTHER MEANS WITHOUT PRIOR WRITTEN AUTHORIZATION.

TOL: ± 1/16"  
TOL: .XX± .060"  
TOL: .XXX± .015"  
TOL: ± 1

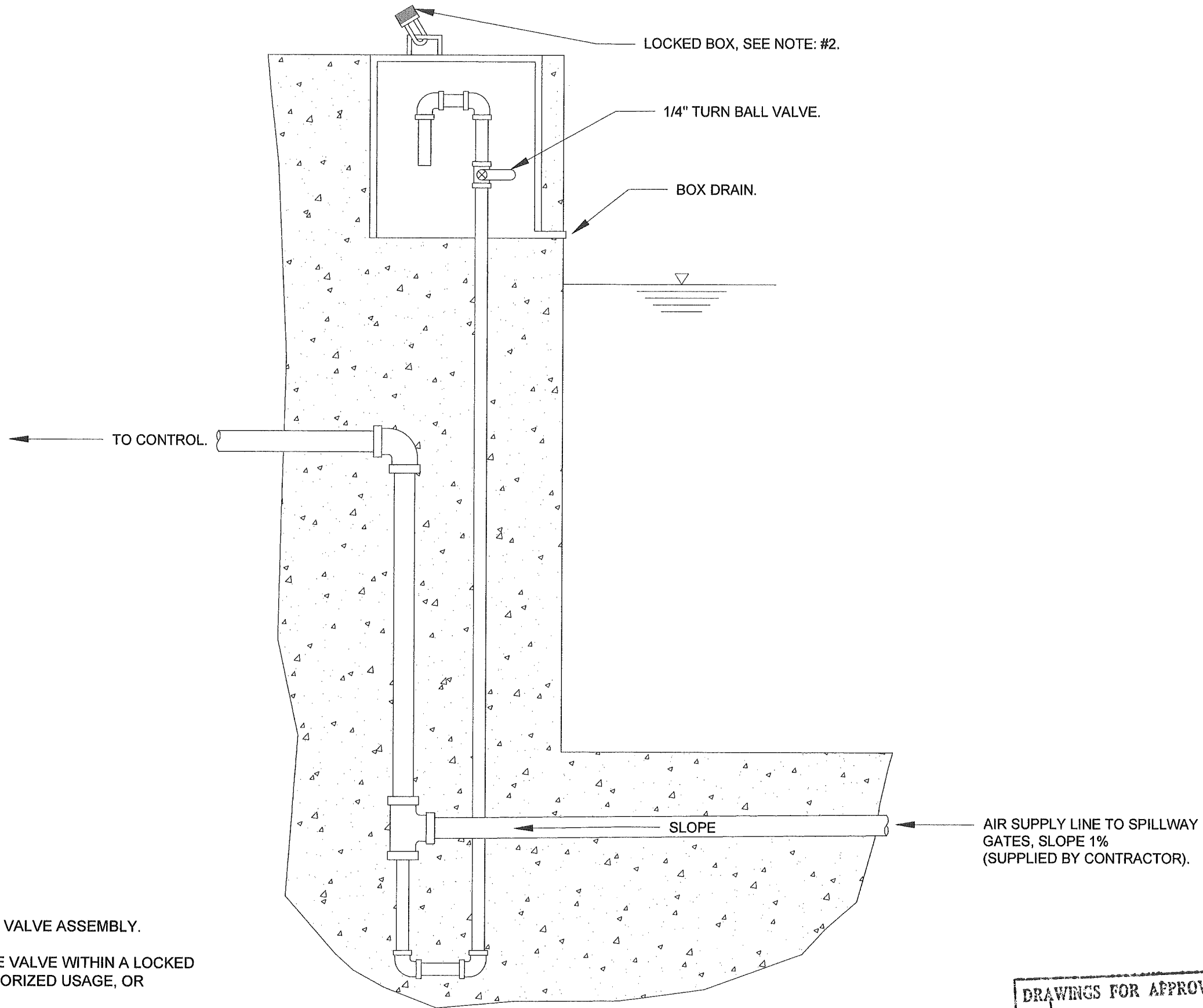
UNLESS OTHERWISE NOTED

**OBERMEYER HYDRO, INC**  
P.O. BOX 668  
FORT COLLINS, COLORADO 80522  
TEL 970-568-9844 FAX 970-568-9845

SHEETS 1 of 1  
SCALE NO SCALE  
JOB KINTA RIVER  
DWG. NO. 09-561-124

DRAWING DESCRIPTION  
RESTRAINING STRAP  
INSTALLATION DETAIL

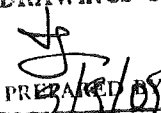
NO	REVISION DESCRIPTION	DATE	APRVD	BAH
1	NEW DRAWING	09/03/09	APRVD	BAH
2				
3				
4				
5				
6				
7				



**NOTE:**

- 1) SUGGESTED CONDENSATE PURGE VALVE ASSEMBLY.
- 2) OHI SUGGESTS ENCLOSING PURGE VALVE WITHIN A LOCKED BOX OR VAULT TO PREVENT UNAUTHORIZED USAGE, OR AIR BLADDER DEFLATION.
- 3) BOX IS SHOWN RECESSED INTO ABUTMENT, MAY ALSO BE MOUNTED ON TOP SURFACE.

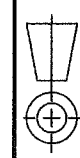
**DRAWINGS FOR APPROVAL**


 PREPARED BY:   
 APPROVED BY:

COPYRIGHTED, OBERMEYER HYDRO, INC., 2008

THIS DRAWING IS PROPERTY OF OBERMEYER HYDRO, INC. AND IS NOT TO BE USED, DISCLOSED, REPRODUCED OR TRANSMITTED BY ELECTRONIC OR ANY OTHER MEANS WITHOUT PRIOR WRITTEN AUTHORIZATION

TOL ± 1/16"  
TOL XX±.060"  
TOL XX±.015"  
TOL ± 1"  
UNLESS OTHERWISE NOTED



DRAWING DESCRIPTION

CONDENSATE PURGE

**OBERMEYER HYDRO, INC**

P.O. BOX 688  
FORT COLLINS, COLORADO 80522  
TEL 970-568-9844 FAX 970-568-9845

SHEETS 1 of 1

SCALE NO SCALE

JOB KINTA RIVER

DWG. NO. 09-561-125

NO	REVISION DESCRIPTION	DATE APRVD	APRVD	DRAWN
1	NEW DRAWING	09/03/09		BAH
2				
3				
4				
5				
6				
7				